

WHILE COPENHAGEN STILL NEGOTIATES, ECKELMANN ALREADY TAKES ACTION

For its Intelligent Refrigeration and Building Control ECKELMANN AG wins “Cooling Award” from the Federal Ministry for the Environment

There is a huge potential for energy savings wherever refrigerators are used – whether in the supermarket around the corner, in everybody’s kitchen or in the food trade.

In the run-up to the Copenhagen Climate Summit, Federal Minister for the Environment Dr Norbert Röttgen addressed a future technology that has been underestimated in many ways, Refrigeration and Air Conditioning. It causes about 15 percent of the national electric energy. On December 8, Röttgen granted ECKELMANN the German Cooling Award at a symposium in Berlin.

The Future belongs to Integrated Automation

ECKELMANN AG was awarded the first prize in the category “Refrigeration Management Systems” for its E•LDS control system. The jury explained their decision by pointing out that the control system operates across system boundaries, enabling the integration of refrigeration and building control into a coordinated system and, thus, the activation of synergies. The advantage of the integrated concept becomes obvious in, amongst other things, the effective combination of refrigeration systems with heat recovery and geothermal resources.

Energy-efficient refrigeration is a vital key to the economic and ecological use of energy in the food retailing sector and the food industry. Theoretically, 35 percent of energy could be saved in the field of commercial refrigeration alone.

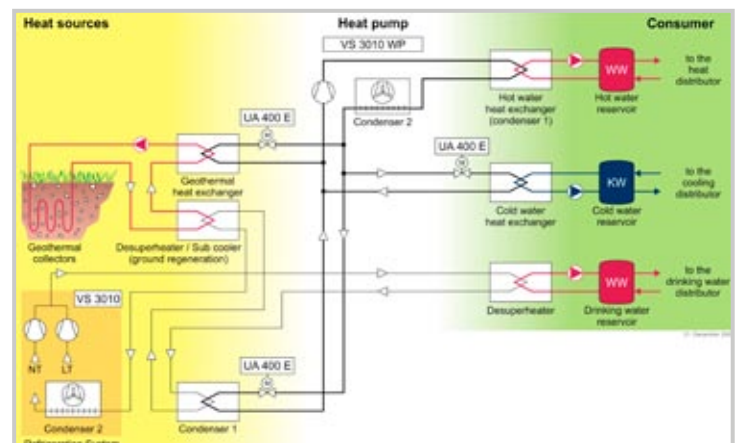
Depending on the scope of the measures taken, refrigeration and building control by ECKELMANN is capable of improving the energy efficiency of food markets by at least 25 percent, compared to conventional markets. In so doing ECKELMANN technology makes a meaningful contribution towards the reduction of indirect CO₂ emissions. The potential for saving was determined by ECKELMANN with regard to a reference market of a long-term customer.

Development in the Race against Climate Change

“The positive evaluation of our system by an independent jury of refrigeration experts confirms to us that, in the fierce competition for innovations in the refrigeration and building control sector, we’re on the right way,” says Dr Frank Uhlemann, Head of the Refrigeration and Building Control Division at ECKELMANN AG, with delight. “The prize money will be used to further intensify our research and development. We are certainly not lacking ideas!” The first prize carries an award of 10,000 Euros.



FEDERAL MINISTER FOR THE ENVIRONMENT DR NORBERT RÖTTGEN AWARDS DR FRANK UHLEMANN AND DR GERD ECKELMANN THE INNOVATION PRIZE (SOURCE: CO2ONLINE GGMBH)



INTEGRATED SYSTEM CONCEPTS: E•LDS COMPONENTS ARE USED TO COMBINE REFRIGERATION, GEOTHERMAL RESOURCES, HEATING, DRINKING WATER HEATING, AND AIR CONDITIONING INTO AN ENERGETICALLY OPTIMIZED SYSTEM.

ACTIVE ENERGY MANAGEMENT IN A SYSTEMATIC WAY

“Innovation prizes such as this will release incentives for the development of energy-efficient technologies”, explains Dr Gerd Eckelmann, Chairman of ECKELMANN AG. “I am pleased that the contribution of automation, for which public awareness is often lacking, has found a forum here.”

Active energy management in a systematic way

Active energy management is only possible through higher-level control and supervision strategy. By continuously recording the data of all energy consumers and operating conditions E·LDS lays the foundation for the automatic optimization of the refrigeration system and the building control. Further potential for savings can be identified by means of modern PC and web applications (LDSWin and/or Web).

Active energy management is a never-ending process! The highly flexible E·LDS -System is a technologically convincing solution which rises to this challenge.

From research to actual practice

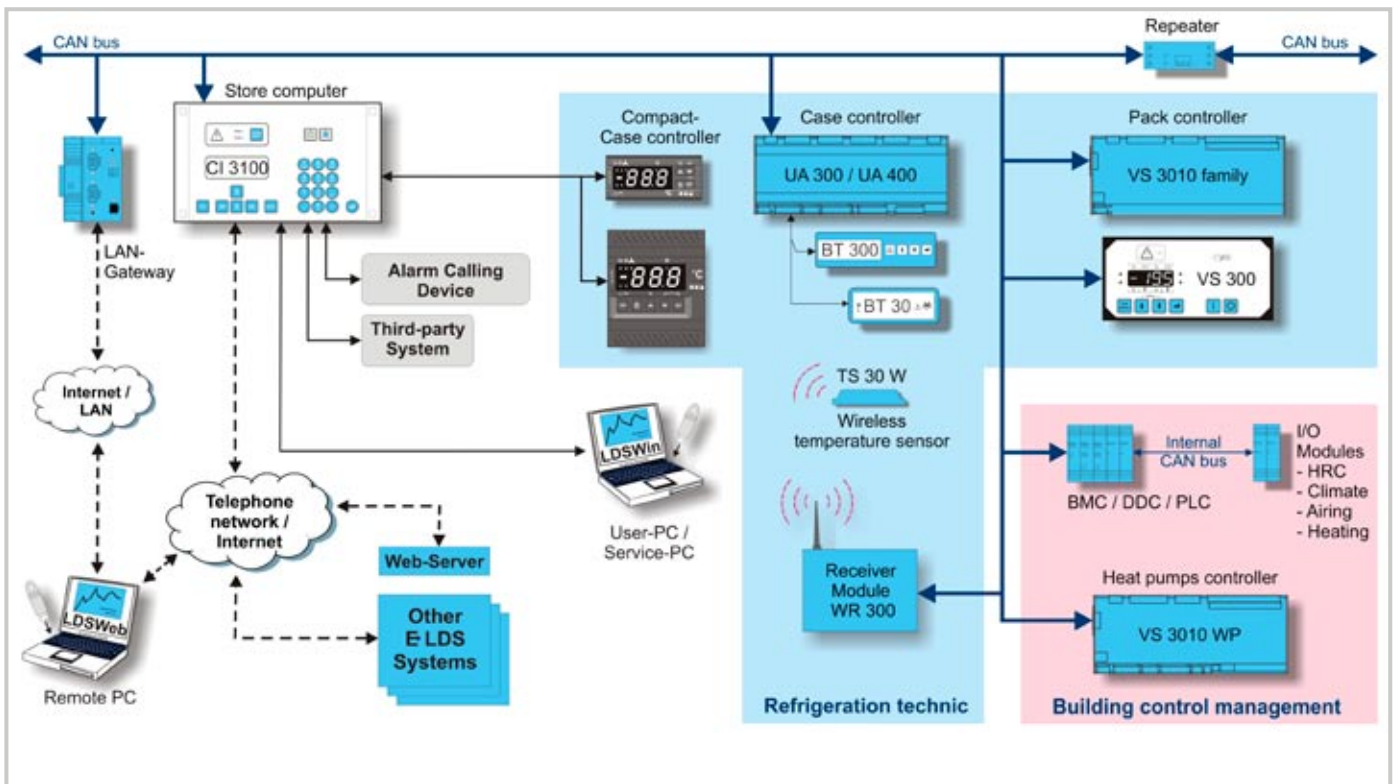
Practice-oriented research and development is top priority at ECKELMANN. As a technology partner of refrigeration system manufacturers and food retailers, the medium-sized enterprise has for many years played an important part in development and introduction of pioneering technologies.

Organized by:



www.co2online.de/kaelte/

Sponsored by:



E·LDS – THE REFRIGERATION AND BUILDING CONTROL SYSTEM